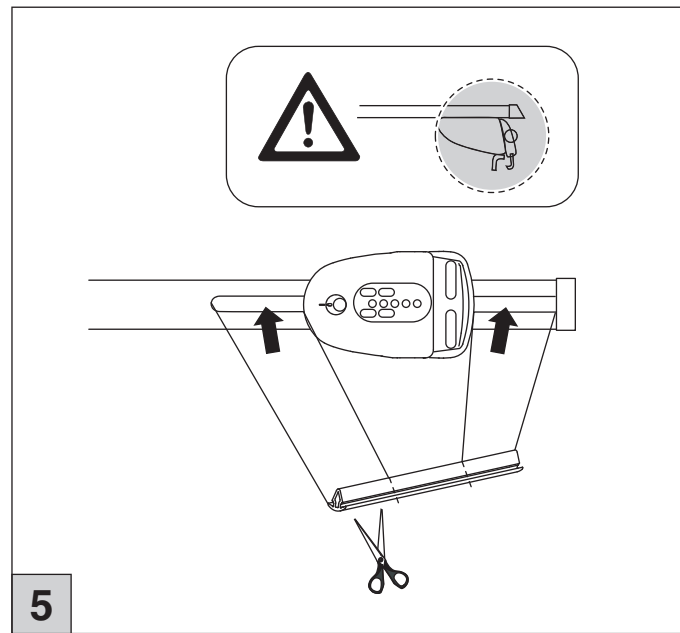
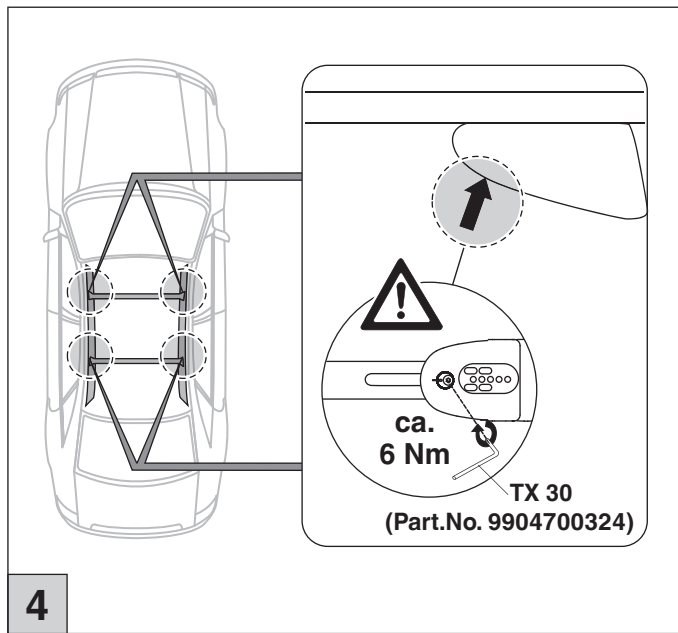


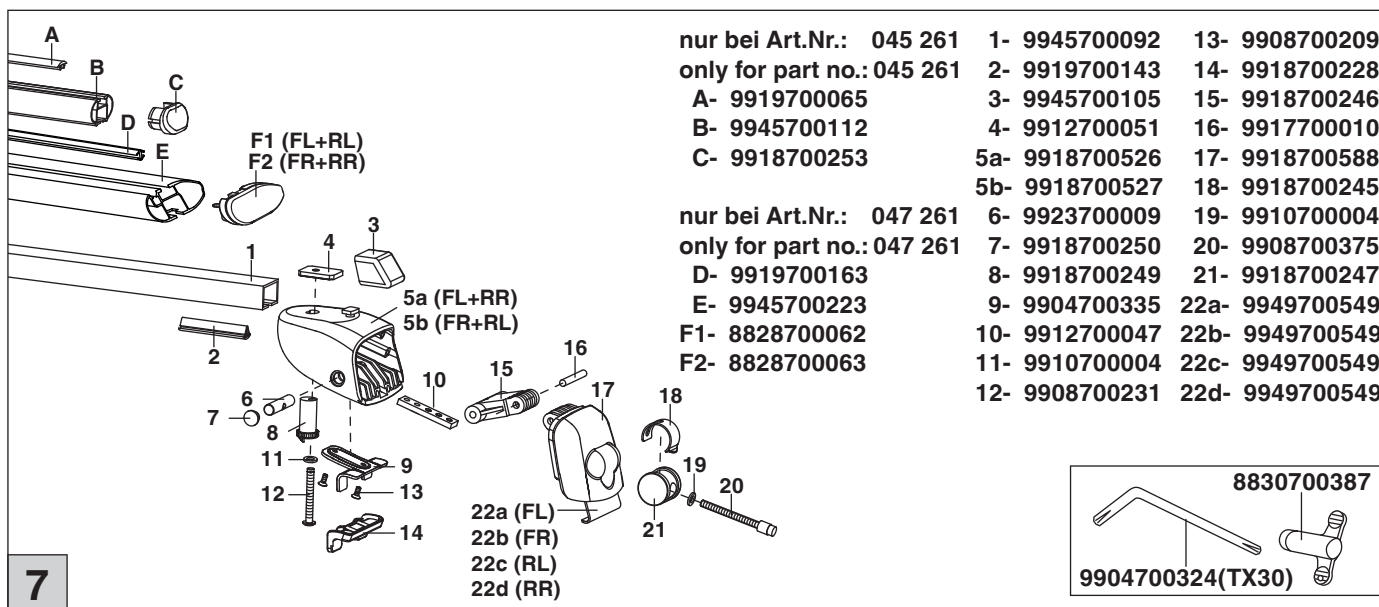
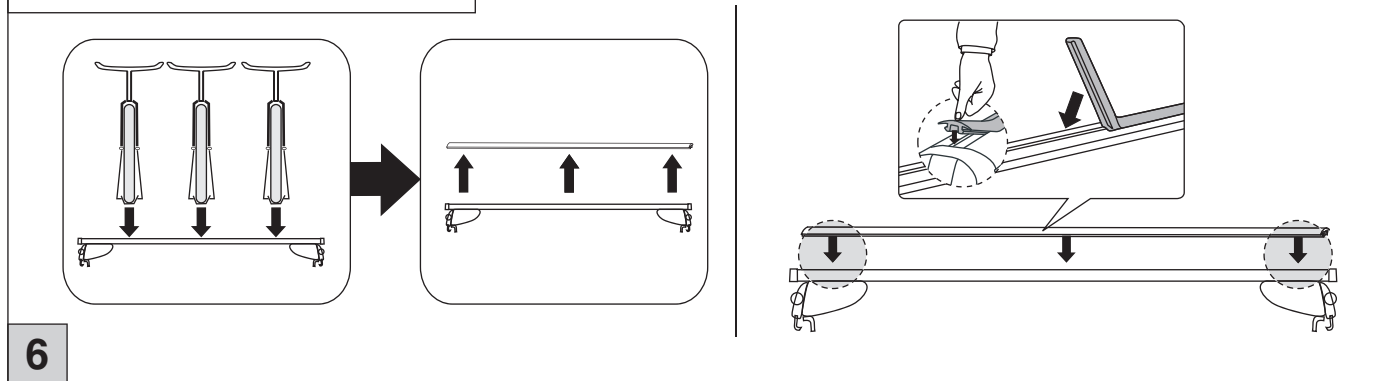
Atera SIGNO

Audi A6 Allroad 05/2012–
Audi A6 Avant 09/2011–
Audi Q3 10/2011–

VW Sharan 09/2010–
Seat Alhambra 10/2010–
Peugeot 308 SW 05/2014–



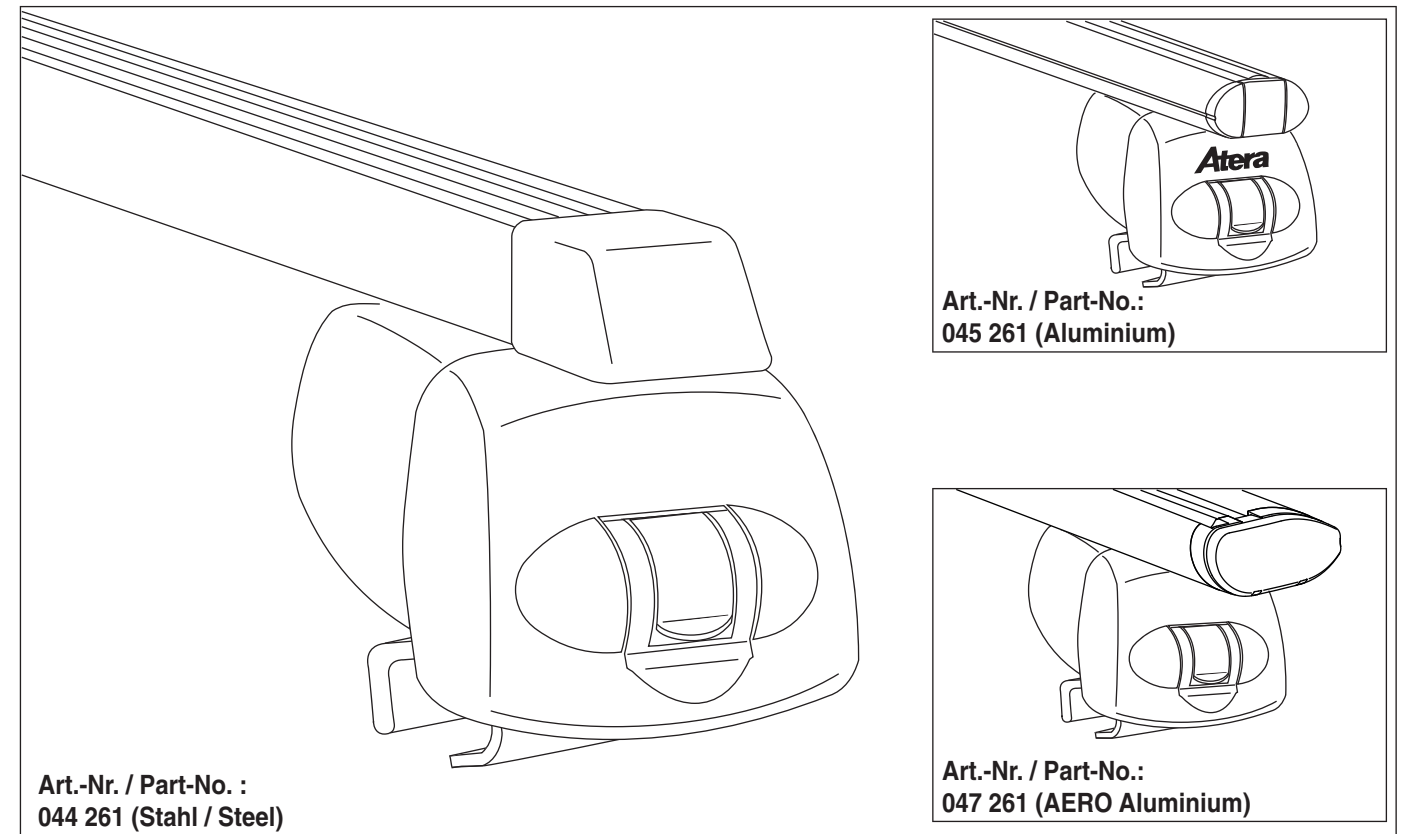
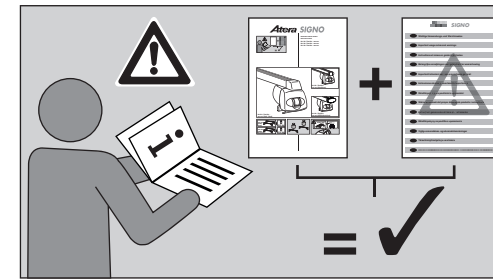
nur bei / only for Part-No.: 045 261



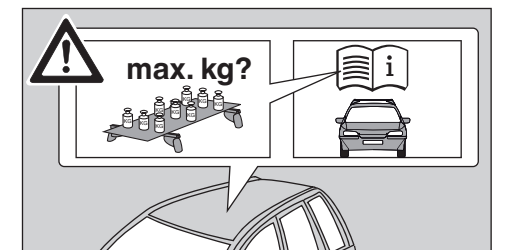
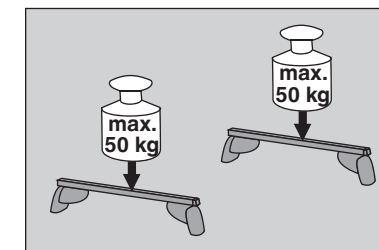
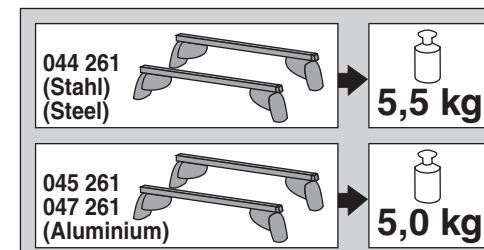
Atera SIGNO

Audi A6 Avant 09/2011–
Audi Q3 10/2011–
Audi A6 Allroad 05/2012–
VW Sharan 09/2010–
Seat Alhambra 10/2010–
Peugeot 308 SW 05/2014–

Art.-Nr. / Part-No. : 044 261
Art.-Nr. / Part-No. : 045 261
Art.-Nr. / Part-No. : 047 261



Art.-Nr. / Part-No. :
044 261 (Stahl / Steel)



Atera
Atera GmbH
Im Herrach 1
D-88299 Leutkirch
Internet: www.atera.de
MADE IN GERMANY

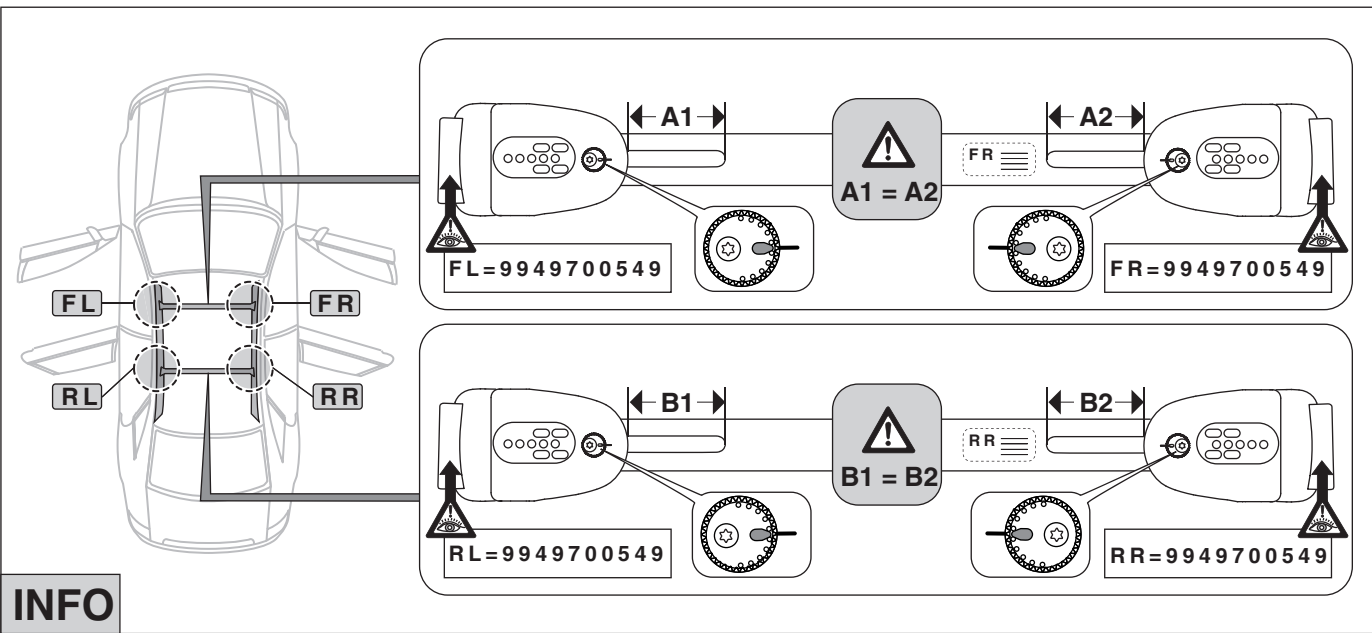


© ATERA GmbH
Ref.-Nr.: 044 261_096454426100_992570050200
Ref.-Nr.: 045 261_096454526100_992570050200
Ref.-Nr.: 047 261_096454726100_992570050200
Stand/State: 26/02/2018 – Rev 00 Ver 06

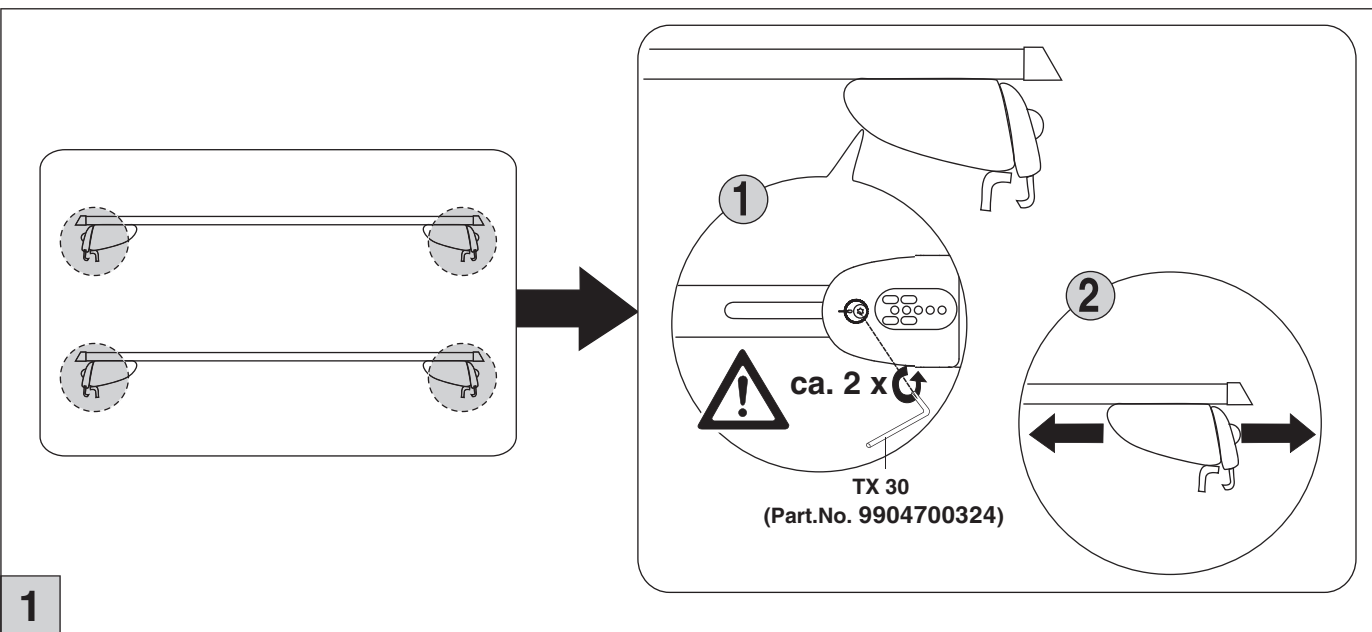
Atera SIGNO

Audi A6 Allroad 05/2012–
Audi A6 Avant 09/2011–
Audi Q3 10/2011–

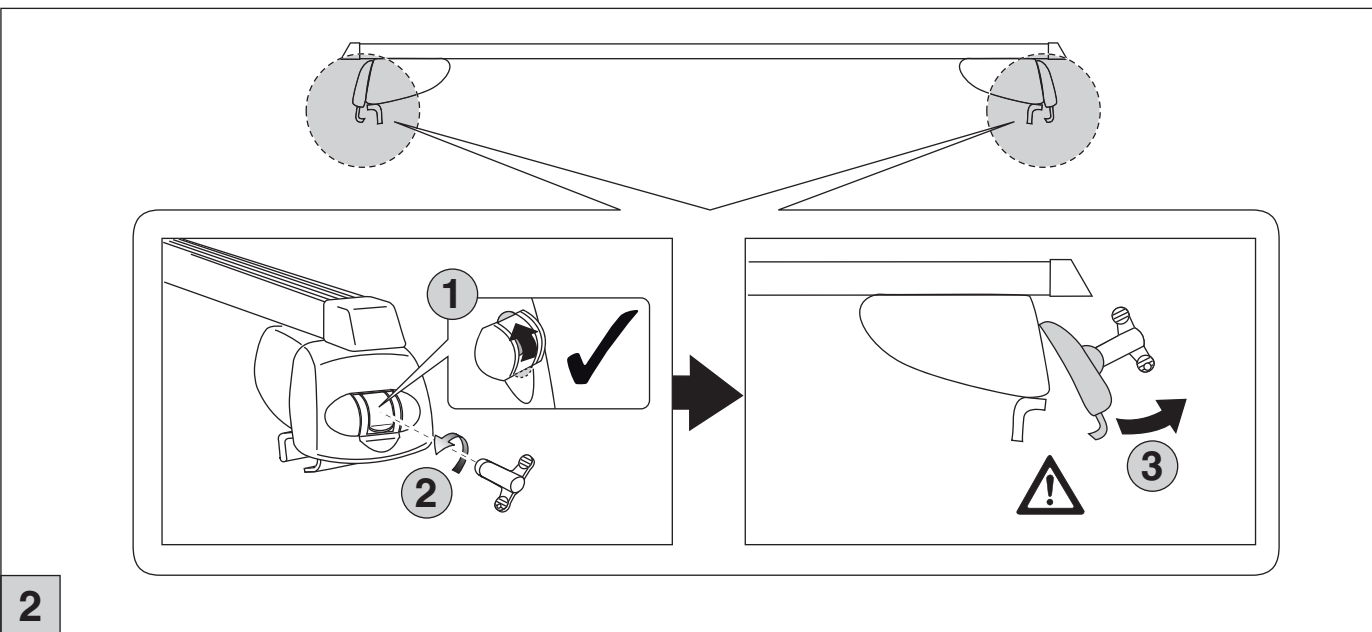
VW Sharan 09/2010–
Seat Alhambra 10/2010–
Peugeot 308 SW 05/2014–



INFO



1

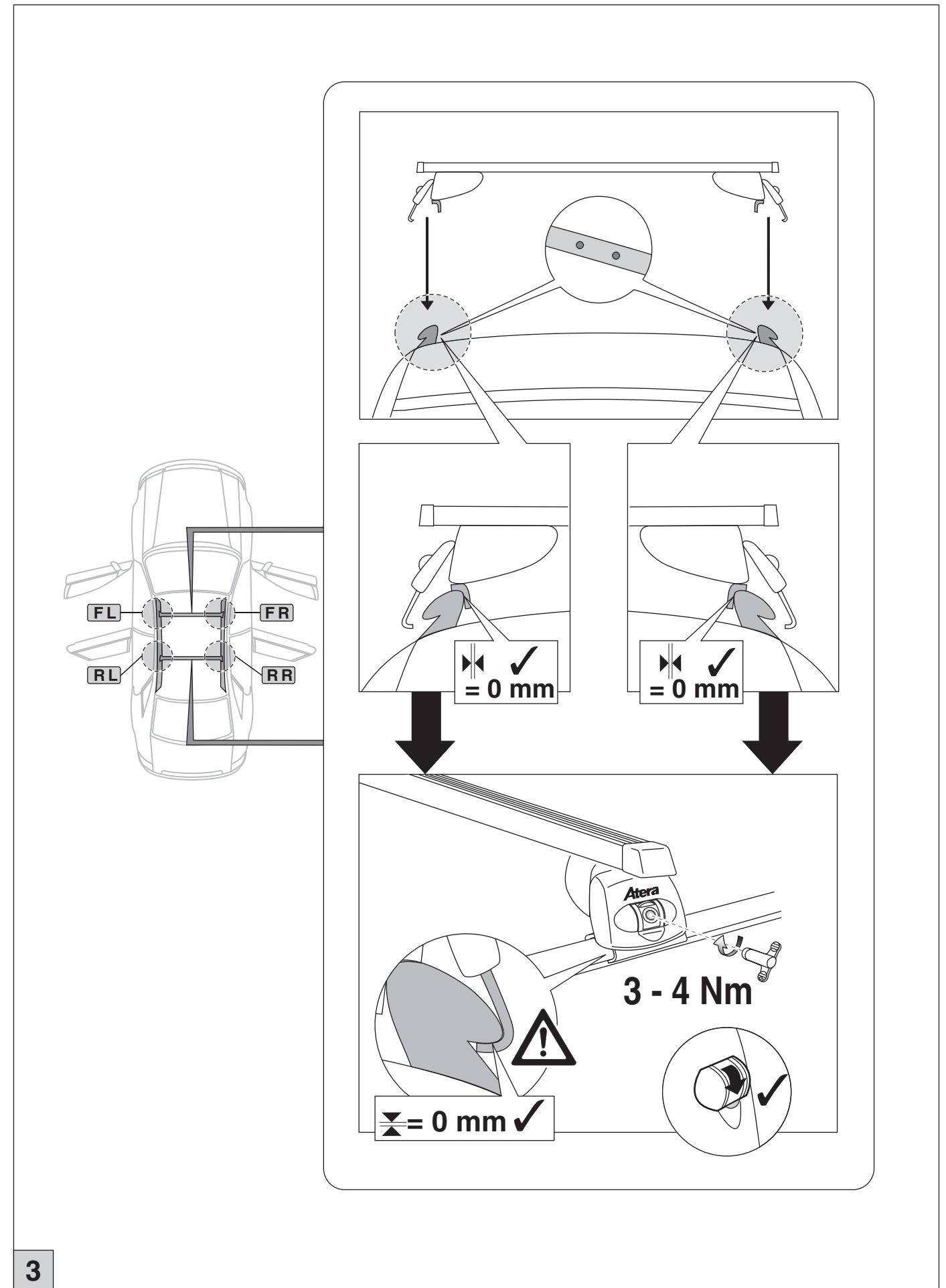


2

Atera SIGNO

Audi A6 Allroad 05/2012–
Audi A6 Avant 09/2011–
Audi Q3 10/2011–

VW Sharan 09/2010–
Seat Alhambra 10/2010–
Peugeot 308 SW 05/2014–



3